



Handling



Dispensing



Sieving



Blending



Container



Cleaning

Easily raised

Mobile, Slewable Drum Lifter and Dumper



SERVOLIFT
lifetime solutions

Experts in Handling,
Blending and
Cleaning Technology

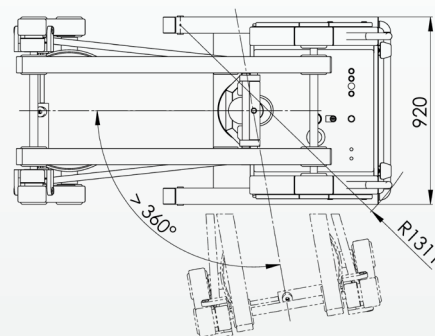
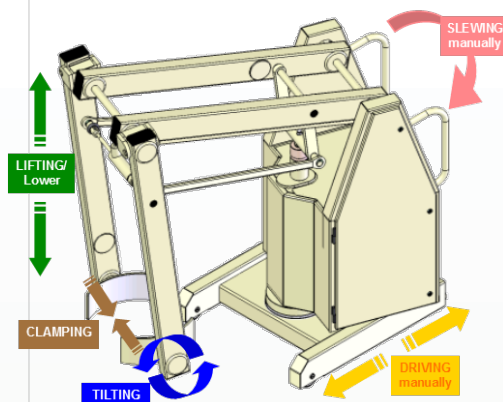
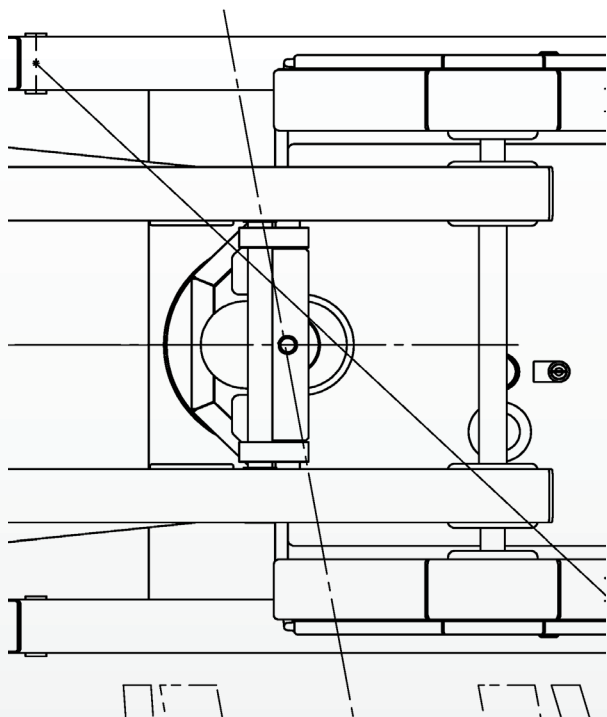
► SLD 250

The SLD 250 from SERVOLIFT with slewable chassis is always in operation where restricted space conditions prevail. Drums of all sizes, shapes and materials can be moved, raised to the desired height, and emptied by the tilting function. The SLD 250 is distinguished by its versatility and easy operation, the ideal piece of equipment for moving, stacking or placing drums horizontally in racks. Despite its considerable lifting height, the compact design of the mobile SLD 250 enables it to fit through every door.

SERVOLIFT GmbH
Albert-Einstein-Straße 9
77656 Offenburg Germany

T. +49 (0) 781 6100 0
F. +49 (0) 781 6100 400

info@servolift.de
www.servolift.de



Technical Specifications of the SLD 250

Models			
Drives	Three phase current - battery - compressed air powered		
Electrical protection	IP52 - IP54 - IP55		
Explosion protection options (ATEX 95)	II3D - II3G - II2GD (for use in zones 22, 21, 1/21)		
Areas of application	Pharmaceutical, food technology, chemical and related industries		
Load capacity	150 kg	250 kg	
Functions			
Lifting / lowering	Adjustable speed, max 15 cm/s		
Forward / backward tilting	180° < 12s, torque 500Nm (optional 800Nm)		
Gripping / releasing	Clamping cylinder with safety valves		
Drive unit (optional)	Maintenance-free 3-phase motor		
Max lift height A	2600 mm	3450 mm	4250 mm
Extension distance B	470 - 640 mm		
Clearance in lowest position C	1670 mm	1740 mm	1770 mm
Min. lift height D	250 mm	250 mm	100 mm
Min. ceiling height E	2270 mm	2930 mm	3130 mm
rotation angle	infinite		
Grippers	Fixed gripper up to Ø 600 mm - special grippers		
Applicable for	Stainless steel drums - steel drums - fiber drums - plastic drums		